



# MINIFIX 3503 FLEXI 3131, 3131P

## Garden sprayer



## Pressure sprayers

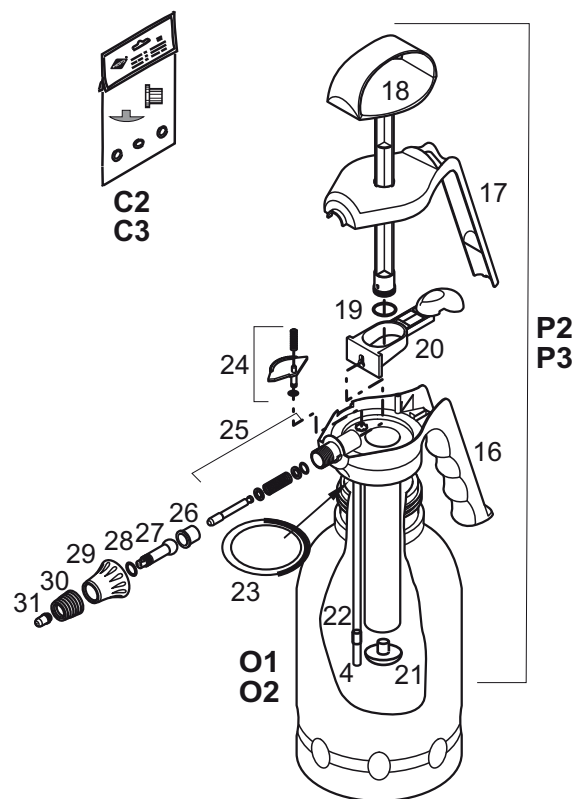
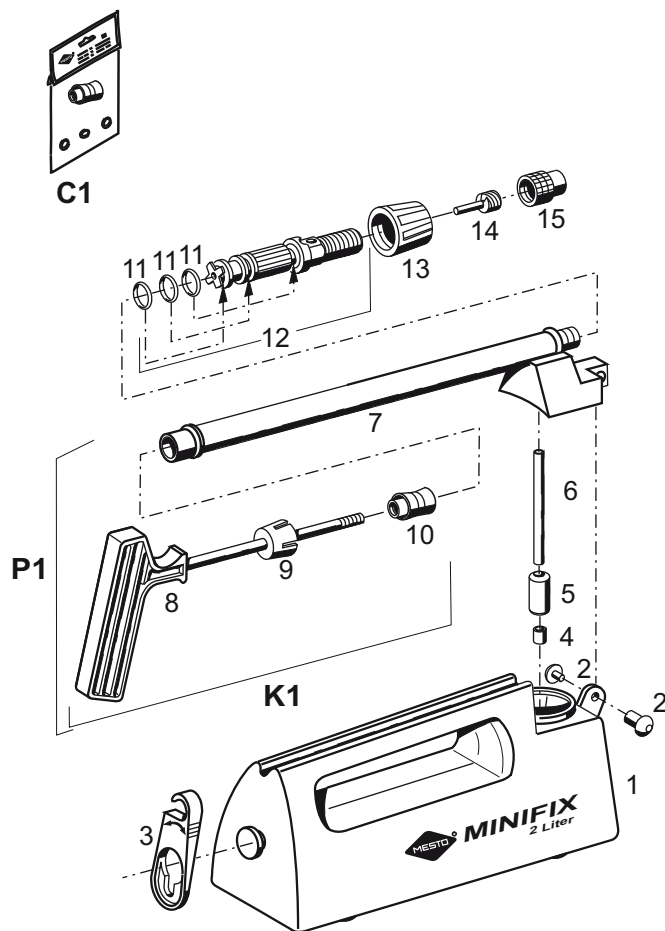


Fig.-No.	Ref.-No.	Description
C1	5008	Service kit, MINIFIX, containing parts 3
C2	5004	Service kit, FLEXI, containing parts 1
C3	5004L	Service kit, FLEXI PLUS, containing parts 2
K1	5271K	Piston rod assy. (3503)
O1	5293N	Tank 1,5 l, yellow (3131)
O2	5293NP	Tank 1,5 l, white (3131P)
P1	5263K	Pump assy (3503)
P2	5211N	Pump head cpl., NBR
P3	5211NL	Pump head cpl., FPM
1	5125	Tank 2,0 l, plastic
2	5340	Bolt with safety plug
3	5514	Catch
4	5311	Suction strainer
5	5312	Sucker weight
6	5337	Suction hose D4 x 1 x 390 mm
7	5263	Pump barrel
8	5231	Piston rod with handle
9	5219	Cylinder cap (3503)
10	5246 <sub>3</sub>	Piston
11	5244 <sub>3</sub>	O-ring D8 x 2 mm
12	5264	Suction valve cpl. (3503)
13	1163	Cap nut M 18 x 1,5
14	1301	Swirl core, fine
15	1302	Nozzle, orifice, 1,1 mm
16	5235F	Pump body with barrel (3131)
17	5321F	Handle cup (3131)
18	5231F	Piston rod with handle (3131)
19	5239 <sub>1,2</sub>	O-ring for piston (3131)
20	5216F	Trigger (3131)
21	5240 <sub>1</sub>	Valve disc, NBR (3131)
21	5240L <sub>2</sub>	Valve disc, FPM (3131P)
22	5253F	Outlet tube (3131)
23	5252 <sub>1</sub>	O-ring 55,2 x 3,5 mm, NBR (3131)
23	5252L <sub>2</sub>	O-ring 55,2 x 3,5 mm, FPM (3131P)
24	5701F	Safety valve (FLEXI)
25	5223	Valve pin assy. (3131)
26	5224 <sub>1,2</sub>	Valve seat (3131)
27	5226	Ball swivel (3131)
28	5238 <sub>1</sub>	O-ring 4,9 x 1,8 mm, NBR (3131)
28	5238L <sub>2</sub>	O-ring 4,9 x 1,8 mm, FPM (3131P)
29	5236F	Cap nut (3131)
30	5401	Nozzle cover (3131)
31	5237F	Nozzle, brass (3131)

0911